

C50

Chain actuator
Thrust force 500N
Stroke 600mm - 800mm - 1000mm



PRODUCT DESCRIPTION

TOPP electric actuator model C50 with double-link chain, in an aluminium profile, available with brackets and accessories for skylights, bottom hung or top hung windows. Operation at 230V 50Hz. Max. thrust force 500N. Stroke 600 - 800 - 1000 mm. Patented chain terminal, attachment to the frame and chain load adjustment to ensure maximum resistance to high loads with long strokes. Pre-set for the synchronous operation of two actuators on the same window. CE marked device.



Double-link chain and die-cast aluminium gearbox with shaft supported by ball bearings for higher resistance to heavy loads.



Patented chain load adjustment system to allow the maximum resistance to high loads with long strokes.



Patented chain terminal with double lateral fixing and swivelling range of two degrees to ensure a greater resistance to heavy loads.



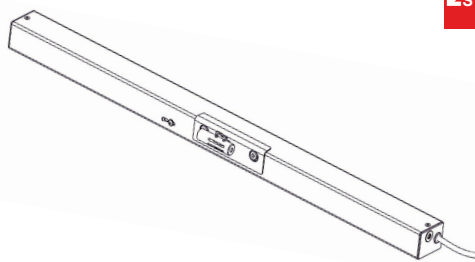
TECHNICAL SPECIFICATIONS

	C50 stroke 600 mm		C50 stroke 800 mm		C50 stroke 1000 mm
	Top hung	Bottom hung	Top hung	Bottom hung	Bottom hung
Power voltage	230V ~ 50Hz		230V ~ 50Hz		230V ~ 50Hz
Max applicable load in thrust	500 N		300 N		-
Max applicable load in traction	500 N		500 N		500 N
Stroke (+/-20mm)	600 mm		800 mm		1000 mm
Absorbed current	0.2 A		0.2 A		0.2 A
Idle translation speed opening	9.6 mm/s		9.6 mm/s	13.3 mm/s	13.3 mm/s
Idle translation speed closing	9.6 mm/s		9.6 mm/s	7.5mm/s	7.5 mm/s
Duration of the idle stroke	63 s		83 s	63 s	75 s
Service type	S2 of 4 min		S2 of 4 min		S2 of 4 min
Operating temperature	-5°C + 50°C		-5°C + 50°C		-5°C +50°C
Protection Class	IP 30		IP 30		IP 30
Synchronous operation of 2 actuators on the same window	YES		YES		YES
Parallel connection option	YES		YES		YES
Overlap from 0 to 50 mm with self-learning	YES		YES		YES
Dimensions	40 x 55 x 811 mm		40 x 55 x 911 mm		40 x 55 x 1011 mm



C50 chain actuator with accessories for application on top hung windows (frontal or vertical)

3E40#	C50 chain actuator 230V 600mm stroke for top hung windows
3E40#	C50 chain actuator 230V 800mm stroke for top hung windows



C50 chain actuator with accessories for application on bottom hung outward opening windows

3E40#	C50 chain actuator 230V 600mm stroke for bottom hung outward opening
3E40#	C50 chain actuator 230V 800mm stroke for bottom hung outward opening
3E40#	C50 chain actuator 230V 1000mm stroke for bottom hung outward opening

C50 chain actuator with accessories for application on bottom hung inward opening windows

3E40#	C50 chain actuator 230V 600mm stroke for bottom hung inward opening
3E40#	C50 chain actuator 230V 800mm stroke for bottom hung inward opening
3E40#	C50 chain actuator 230V 1000mm stroke for bottom hung inward opening

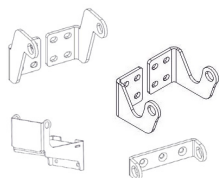
Description of the standard pattern for 1 push point application on top hung windows

3E40#	C50 chain actuator 230V 600mm stroke
	Hooking device for top and bottom hung outwards opening - stainless steel
	Brackets for top/bottom hung outward opening and vertical mounting - stainless steel
	Standard spare parts

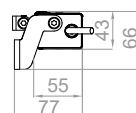
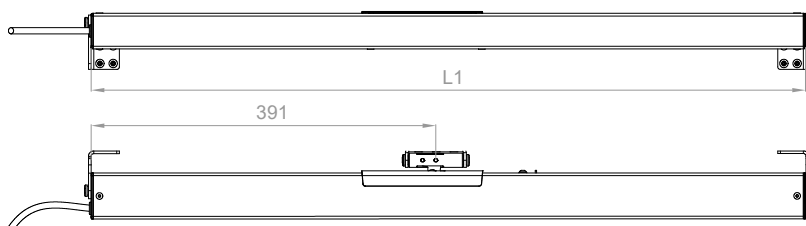
Description of the standard pattern for 2 push points application on top hung windows

3E40#	C50 chain actuator 230V 600mm stroke
3E40#	C50 chain actuator 230V 600mm stroke

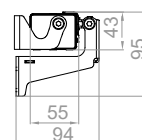
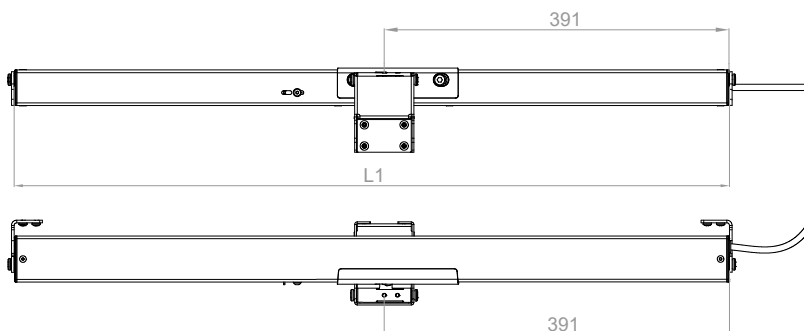
Accessories and spare parts



3E4100	Brackets for top-hung/bottom-hung outward opening and vertical mounting application - stainless steel
3E4101	Brackets for bottom-hung inward opening - stainless steel
1E4604	Upper bracket for bottom hung windows - stainless steel
1E4820	Hooking device for top-hung and bottom hung outwards opening - stainless steel
3E4001	Standard spare parts



Corsa Stroke	L1
600	817
800	917



Corsa Stroke	L1
600	817
800	917
1000	1017